



BIGFOOT SNOW STOPS

STOP SNOW IN ITS TRACKS

FOR USE WITH **PRO-LOCK**
HIDDEN FASTENER METAL ROOFING



APPLICATIONS:



Home



Cottage



Commercial

FEATURES AND BENEFITS:



Lifetime of Savings



Low Maintenance



Durable



Wide Variety of Colours



40 Year Warranty



Recyclable Material



Fire Resistant



Nail Resistant



Prevents Snow Sliding



Width



Gauge

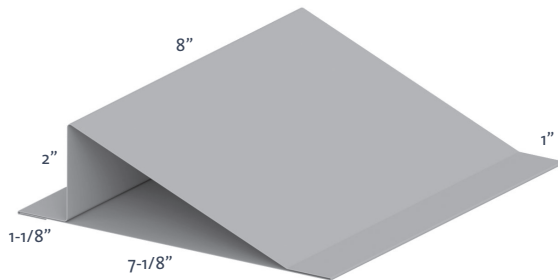


Gauge

Our Bigfoot Snow stops help with a sudden release of large amounts of snow that may have accumulated on your roof. They allow snow to melt and exit your roof slowly as opposed to all at once avoiding injury or property damage.

SPECIFICATIONS:

- Designed for use with Pro-Lock panel.
- 8" wide.
- Available in a wide variety of colours.
- Installed with Durasil adhesive resulting in no exposed fasteners.
- 1-piece construction for added strength.
- Sold per piece. Durasil sold separately. Use 1 tube for approximately 5 snow stops.





PROCEDURE:

STEP 1

Determine areas of concern on your roof and quantity of Bigfoot Snow Stops needed. It's recommended that Snow Stops be installed over all doorways and roof valley areas for added protection. Steep roof slopes combined with longer panel lengths may require additional rows.

- Sold per piece. DuraSil sold separately. Use 1 tube for approximately 5 snow stops.

STEP 2

Remove all surface contamination such as dirt, oil, caulking, and roof mastics from bonding area.

Clean bonding surface with rubbing alcohol. Wipe area dry before bonding.

STEP 3

With a black marker (do not use pencil), mark the position of each part before starting installation. Position snow stops in staggered lines, positioning each piece in the center of each panel approximately two feet apart horizontally and two feet apart vertically.

STEP 4

If the roof pitch is 5/12 or less, use 2 rows of snow stops. If the roof pitch is 6/12 or greater, 3 rows are required. If the distance between ridge and eave (regardless of pitch) is 30' or greater, 5 rows are required (2 rows at mid-point). To help prevent ice dams, set first row above plane of exterior wall.

STEP 5

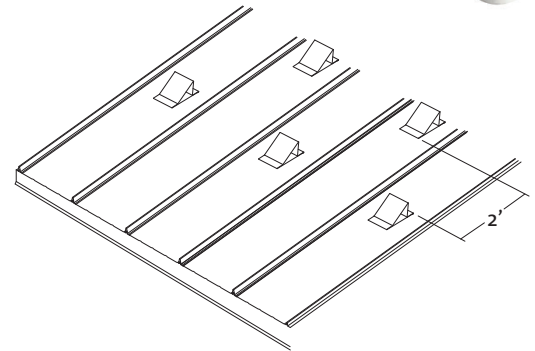
Apply enough DuraSil adhesive to coat bottom of snow stop in an "S" pattern.

STEP 6

Press and hold the snow stop firmly in place for approx 30 seconds above positioning mark with angled end down (towards the eave). Press until excess adhesive is uniformly squeezed out around edges.

STEP 7

At least three days of 40°F (4°C) are required for DuraSil adhesive to set. Depending on temperature, snow stop installations develop full strength in seven to fourteen days.



DISCLAIMER

*Domtek Building Products is not responsible for determining the structural integrity or live load capacity of any roof on which Bigfoot Snow Stops are installed. That service shall be conducted by an architect or consultant. When more snow than expected accumulates on the roof, it should be removed to avoid damage to the roof, the building structure and anything below.

