

## METAL BUILDING TRIMS AND FLASHINGS

· Most trims available in 10'6" / 12'6" / 14' 6" and 16' 6" lengths.

**28** Gauge  
**26** Gauge

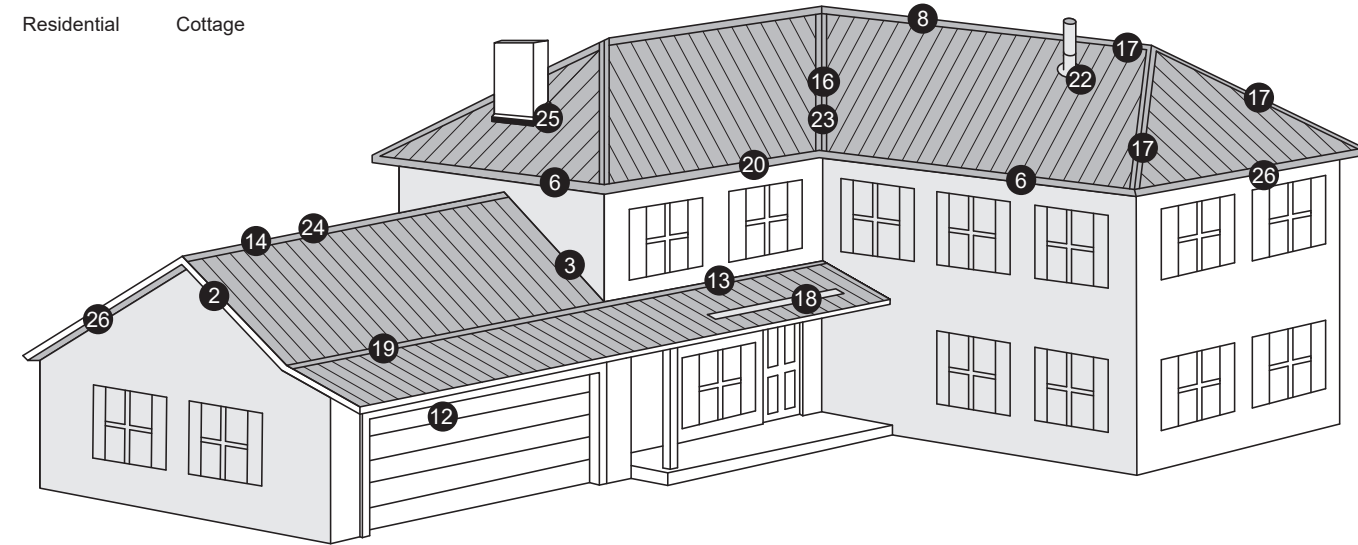


Residential



Cottage

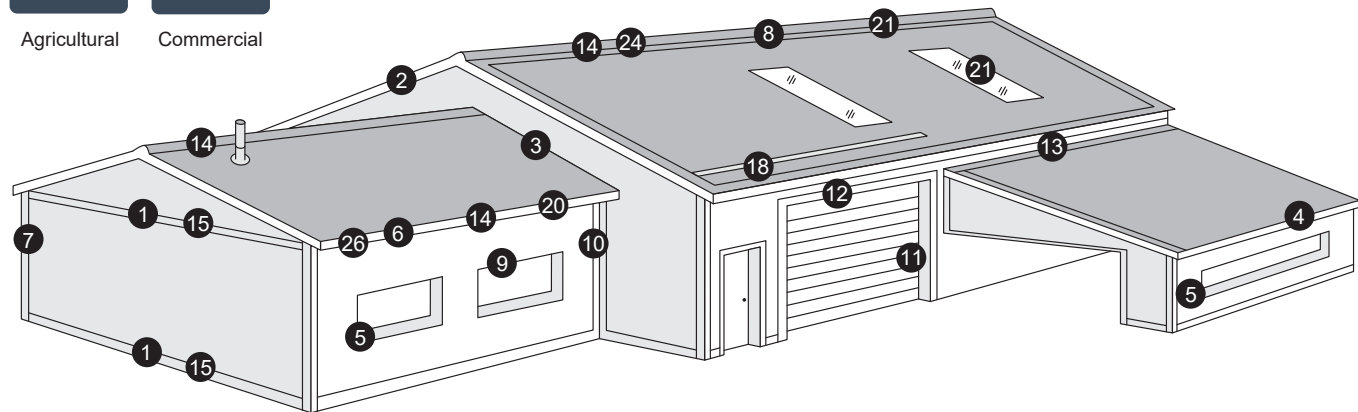
Please note that the numbers are for illustration purposes only. When ordering, please refer to the following pages for trim and flashing part #'s.



Agricultural



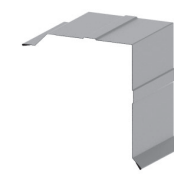
Commercial



1 A2 Base Divider



2 A6B, 30, 31 Gable Flashing



3 A15 Sidewall Flashing



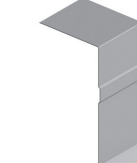
4 A9B Eave Flashing



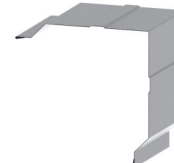
5 A1 J Trim



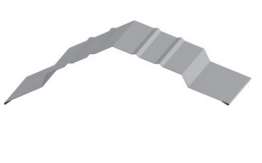
6 A7B, 28, 29, Rake Flashing



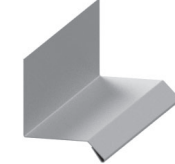
7 A4B Outside Corner



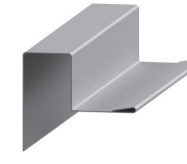
8 A12B Ridge Cover



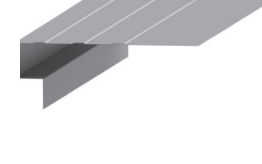
9 A3 Drip Flashing



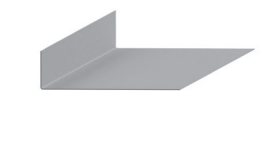
10 A5 Inside Corner



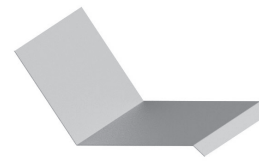
11 A11B Door Jamb Flashing



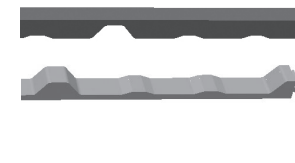
12 A10 Header Trim



13 A14 Endwall Flashing



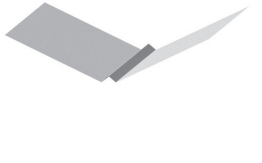
14 Large or Small Tab Closure



15 A19 Box Base



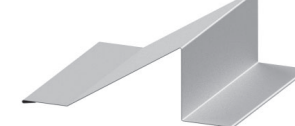
16 A17 W Valley Flashing



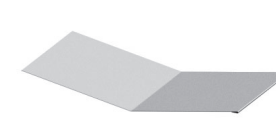
17 A41 12" LP Ridge Cover



18 A20 Snow Guard



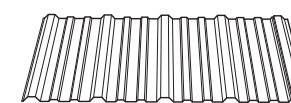
19 A26 Pitch Break Flashing



20 A32B, 33B, 34B, 35B Steel Fascia



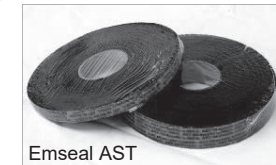
21 Coverlite Polycarbonate Panels or Ridge Cap



22 Dektite Pipe Flashing



23 Hip & Valley Closure

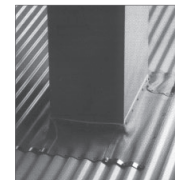


Emseal AST

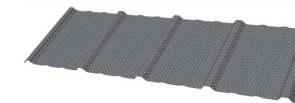
24 Vented Closure



25 9" Dekstrip



26 Pro-Rib Metal Soffit



Butyl Tape & Caulking



POLYBUTYL 1023

Type 17 HiLo Fasteners

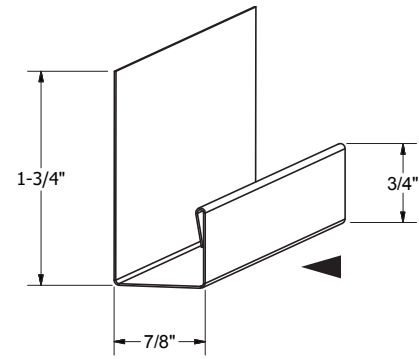


Tru-Grip OSW Fasteners

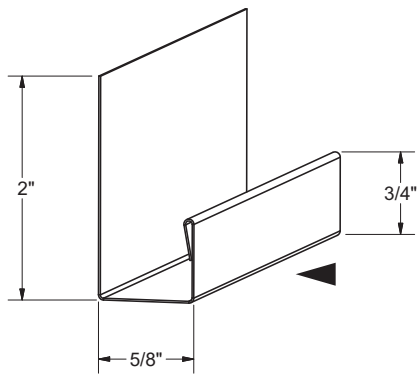


For use with Coverlite Panels

**28 GA. PRO-RIB / TUFF-RIB / LO-RIB** **LENGTH**  
(P.P. Indicates Pre-Painted) **10' 6" 12' 6" 14' 6" 16' 6"**

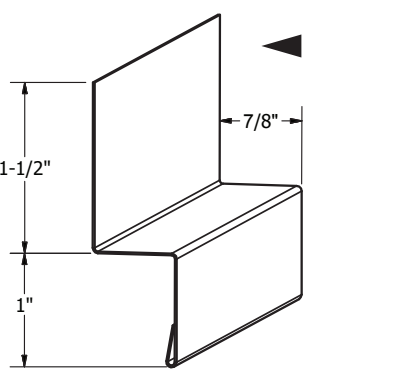


A1	J Trim P.P.	•	•	•	•
A1	J Trim Galv	•	•	•	•

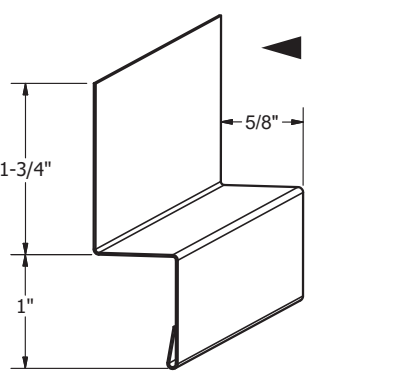


A1LR	J Trim P.P. (1/2")	•	•	N/A	N/A
A1LR	J Trim Galv (1/2")	•	•	N/A	N/A

· Use with Lo-Rib panel only.



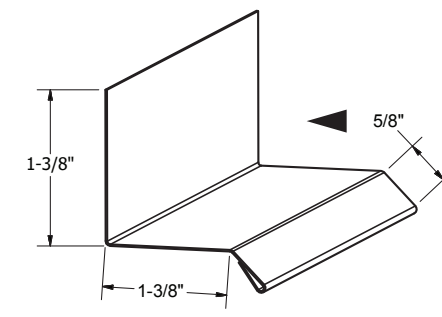
A2	Base / Divider P.P.	•	•	N/A	N/A
A2	Base / Divider Galv.	•	•	N/A	N/A



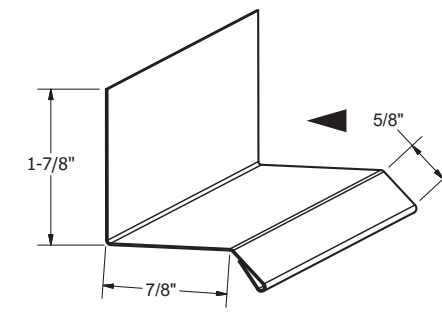
A2LR	Base / Divider P.P.	•	•	N/A	N/A
A2LR	Base / Divider Galv.	•	•	N/A	N/A

· Use with Lo-Rib panel only.

**28 GA. PRO-RIB / TUFF-RIB / LO-RIB** **LENGTH**  
(P.P. Indicates Pre-Painted) **10' 6" 12' 6" 14' 6" 16' 6"**

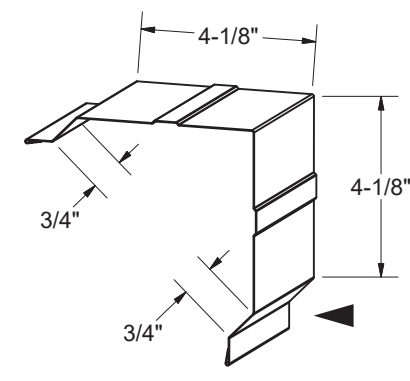


A3	Drip Flashing P.P.	•	•	N/A	N/A
A3	Drip Flashing Galv.	•	•	N/A	N/A

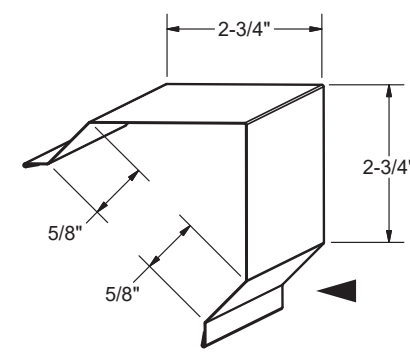


A3LR	Drip Flashing P.P.	•	•	N/A	N/A
A3LR	Drip Flashing Galv.	•	•	N/A	N/A

· Use with Lo-Rib panel only.



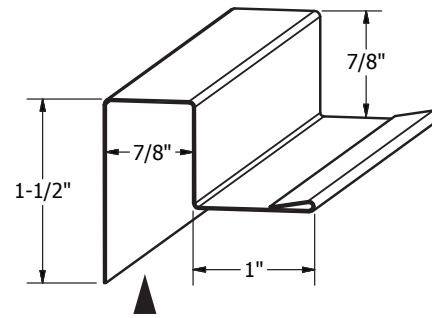
A4B	Outside Corner P.P.	•	•	•	•
A4B	Outside Corner Galv.	•	•	•	•



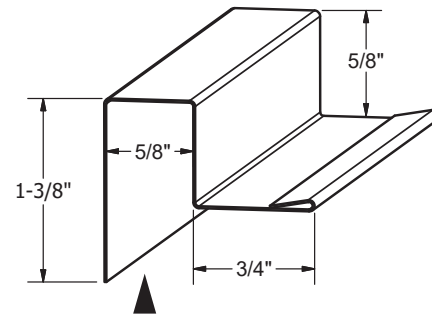
A4LR	Outside Corner P.P.	•	•	•	•
A4LR	Outside Corner Galv.	•	•	•	•

· Use with Lo-Rib panel only.

**28 GA. PRO-RIB / TUFF-RIB / LO-RIB**      **LENGTH**  
(P.P. Indicates Pre-Painted)      **10' 6" 12' 6" 14' 6" 16' 6"**

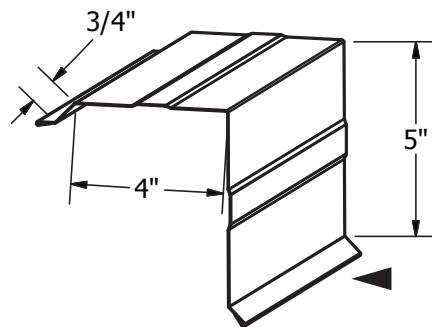


A5	Inside Corner P.P.	•	•	•	•
A5	Inside Corner Galv.	•	•	•	•

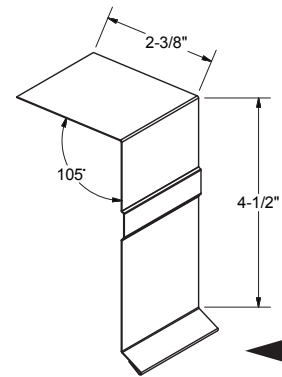


A5LR	Inside Corner P.P.	•	•	N/A	N/A
A5LR	Inside Corner Galv.	•	•	N/A	N/A

• Use with Lo-Rib panel only.

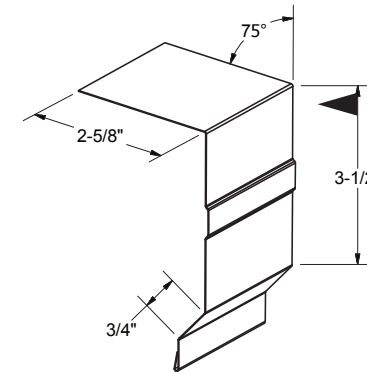


A6B	Gable Flashing P.P.	•	•	•	•
A6B	Gable Flashing Galv.	•	•	•	•

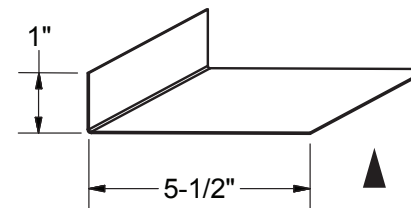
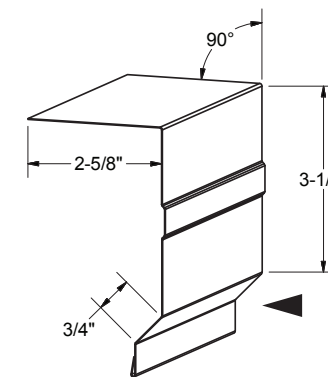


A7B	Rake Flashing P.P.	•	•	•	•
A7B	Rake Flashing Galv.	•	•	•	•

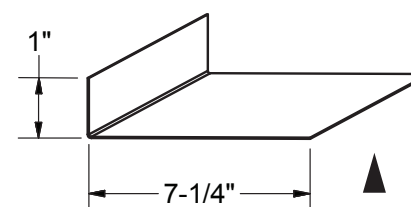
**28 GA. PRO-RIB / TUFF-RIB / LO-RIB**      **LENGTH**  
(P.P. Indicates Pre-Painted)      **10' 6" 12' 6" 14' 6" 16' 6"**



A9B	Eave Flashing P.P.	•	•	•	•
A9B	Eave Flashing Galv.	•	•	•	•

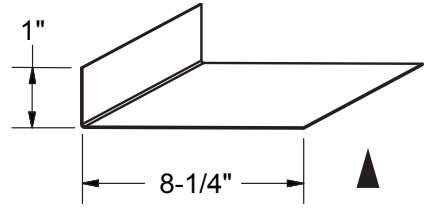


A10	5.50 Header Trim P.P.	•	•	•	•
A10	5.50 Header Trim Galv.	•	•	•	•

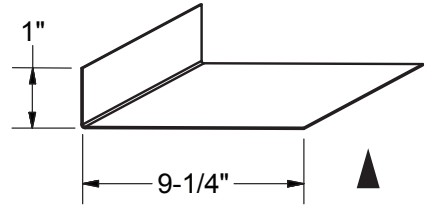


A10	7.25 Header Trim P.P.	•	•	•	•
A10	7.25 Header Trim Galv.	•	•	•	•

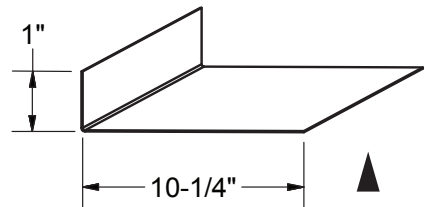
**28 GA. PRO-RIB / TUFF-RIB / LO-RIB** **LENGTH**  
(P.P. Indicates Pre-Painted) **10' 6" 12' 6" 14' 6" 16' 6"**



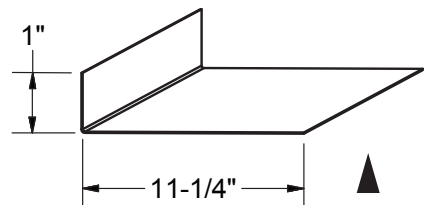
A10	8.25 Header Trim P.P.	•	•	•	•
A10	8.25 Header Trim Galv.	•	•	•	•



A10	9.25 Header Trim P.P.	•	•	•	•
A10	9.25 Header Trim Galv.	•	•	•	•

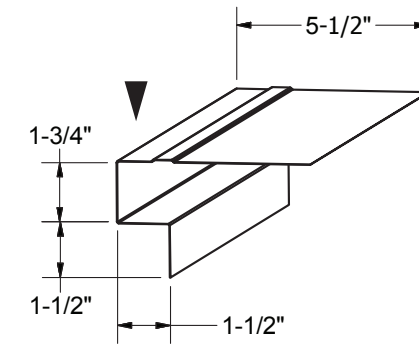


A10	10.25 Header Trim P.P.	•	•	•	•
A10	10.25 Header Trim Galv.	•	•	•	•



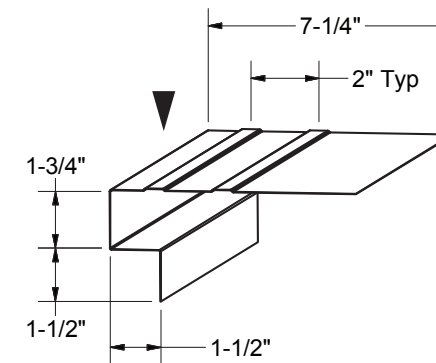
A10	11.25 Header Trim P.P.	•	•	•	•
A10	11.25 Header Trim Galv.	•	•	•	•

**28 GA. PRO-RIB / TUFF-RIB / LO-RIB** **LENGTH**  
(P.P. Indicates Pre-Painted) **10' 6" 12' 6" 14' 6" 16' 6"**



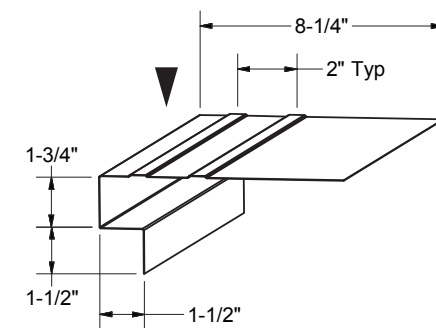
A11B	5.50 Door Jamb Flashing P.P.	•	•	•	•
A11B	5.50 Door Jamb Flashing Galv.	•	•	•	•

• Available with or without stiffening ribs.



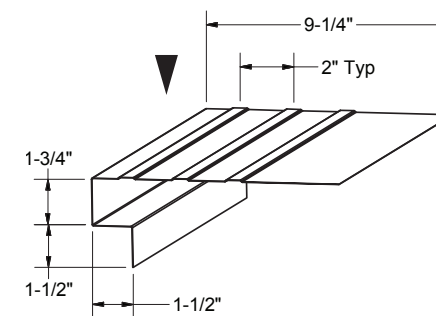
A11B	7.25 Door Jamb Flashing P.P.	•	•	•	•
A11B	7.25 Door Jamb Flashing Galv.	•	•	•	•

• Available with or without stiffening ribs.



A11B	8.25 Door Jamb Flashing P.P.	•	•	•	•
A11B	8.25 Door Jamb Flashing Galv.	•	•	•	•

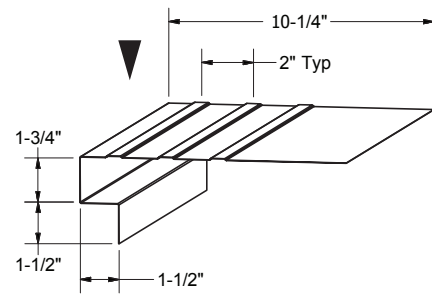
• Available with or without stiffening ribs.



A11B	9.25 Door Jamb Flashing P.P.	•	•	•	•
A11B	9.25 Door Jamb Flashing Galv.	•	•	•	•

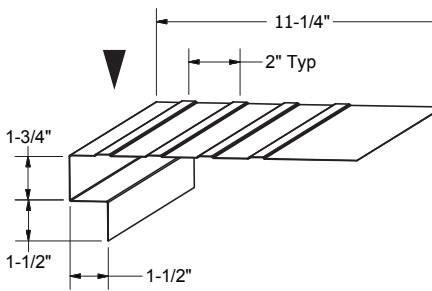
• Available with or without stiffening ribs.

**28 GA. PRO-RIB / TUFF-RIB / LO-RIB** **LENGTH**  
(P.P. Indicates Pre-Painted) **10' 6" 12' 6" 14' 6" 16' 6"**



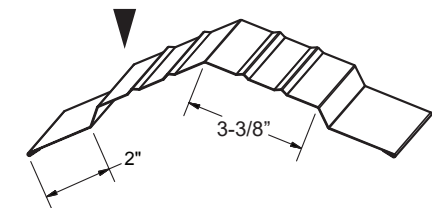
A11B	10.25 Door Jamb Flashing P.P.	•	•	•	•
A11B	10.25 Door Jamb Flashing Galv.	•	•	•	•

• Available with or without stiffening ribs.



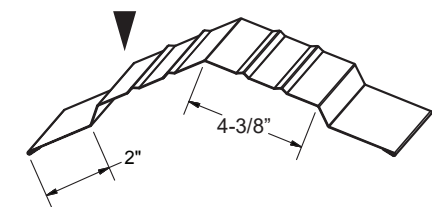
A11B	11.25 Door Jamb Flashing P.P.	•	•	•	•
A11B	11.25 Door Jamb Flashing Galv.	•	•	•	•

• Available with or without stiffening ribs.



A12B	12" Ridge Cover P.P.	•	•	•	•
A12B	12" Ridge Cover Galv.	•	•	•	•

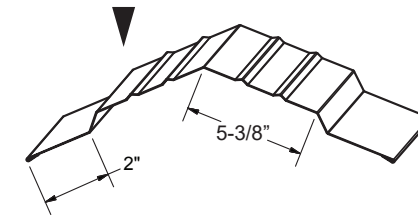
• 2" Tru-Grip fastener is recommended for installation.



A12B/14	14" Ridge Cover P.P.	•	•	•	•
A12B/14	14" Ridge Cover Galv.	•	•	•	•

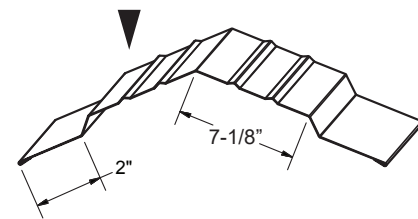
• 2" Tru-Grip fastener is recommended for installation.

**28 GA. PRO-RIB / TUFF-RIB / LO-RIB** **LENGTH**  
(P.P. Indicates Pre-Painted) **10' 6" 12' 6" 14' 6" 16' 6"**



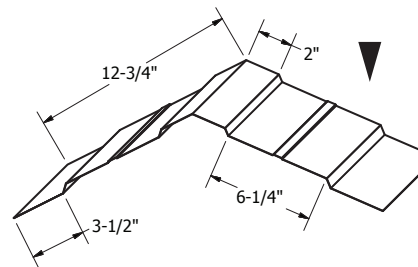
A12B/16	16" Ridge Cover P.P.	•	•	•	•
A12B/16	16" Ridge Cover Galv.	•	•	•	•

• 2" Tru-Grip fastener is recommended for installation.



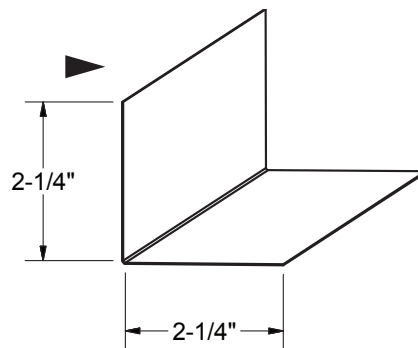
A12B/20	20" Ridge Cover P.P.	•	•	•	•
A12B/20	20" Ridge Cover Galv.	•	•	•	•

• 2" Tru-Grip fastener is recommended for installation.



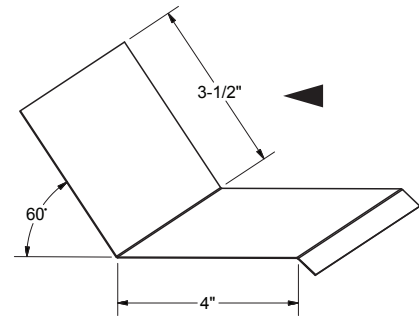
A12B/24	24" Ridge Cover P.P.	•	•	•	•
A12B/24	24" Ridge Cover Galv.	•	•	•	•

• Matches 24" Coverlite polycarbonate Ridge Cover.  
• 2" Tru-Grip fastener is recommended for installation.

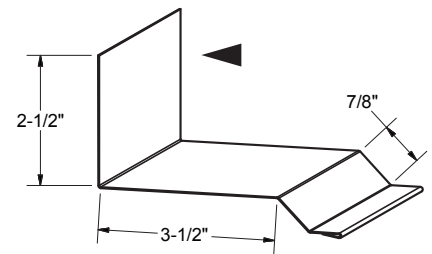


A13	Universal Flashing P.P.	•	•	•	•
A13	Universal Flashing Galv.	•	•	•	•

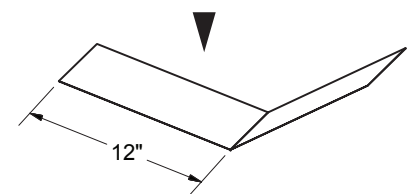
**28 GA. PRO-RIB / TUFF-RIB / LO-RIB** **LENGTH**  
(P.P. Indicates Pre-Painted) **10' 6" 12' 6" 14' 6" 16' 6"**



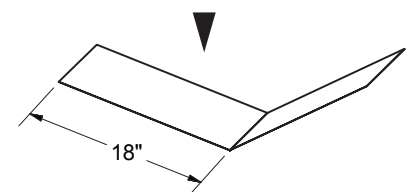
A14	Endwall Flashing P.P.	•	•	•	•
A14	Endwall Flashing Galv.	•	•	•	•



A15	Sidewall Flashing P.P.	•	•	•	•
A15	Sidewall Flashing Galv.	•	•	•	•

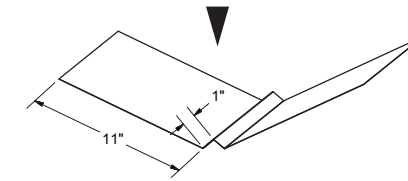


A16	24" Valley Flashing P.P.	•	•	N/A	N/A
A16	24" Valley Flashing Galv.	•	•	N/A	N/A

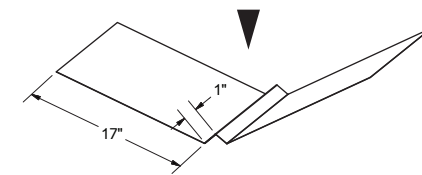


A16	36" Valley Flashing P.P.	•	•	N/A	N/A
A16	36" Valley Flashing Galv.	•	•	N/A	N/A

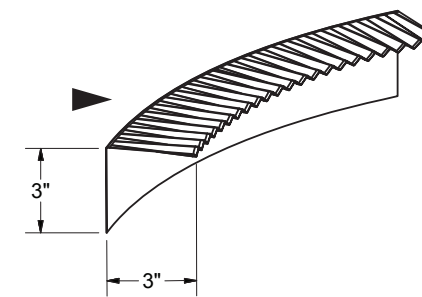
**28 GA. PRO-RIB / TUFF-RIB / LO-RIB** **LENGTH**  
(P.P. Indicates Pre-Painted) **10' 6" 12' 6" 14' 6" 16' 6"**



A17	24" W Valley Flashing P.P.	•	•	N/A	N/A
A17	24" W Valley Flashing Galv.	•	•	N/A	N/A

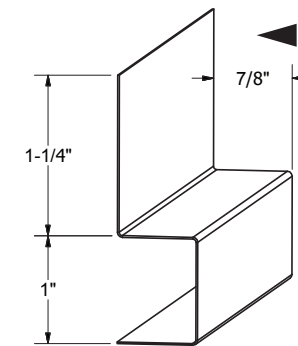


A17	36" W Valley Flashing P.P.	•	•	N/A	N/A
A17	36" W Valley Flashing Galv.	•	•	N/A	N/A



A18	Arch Trim P.P.	•	N/A	N/A	N/A
A18	Arch Trim Galv.	•	N/A	N/A	N/A

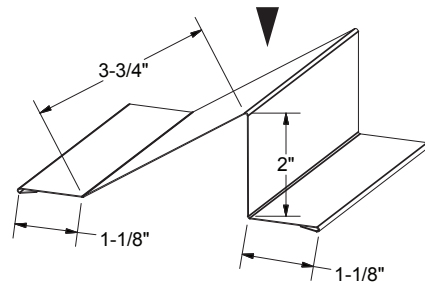
· For instructions on arch trim calculation, see page PR-31.



A19	Box Base P.P.	•	•	N/A	N/A
A19	Box Base Galv.	•	•	N/A	N/A

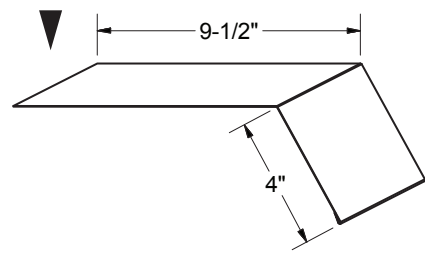


**28 GA. PRO-RIB / TUFF-RIB / LO-RIB** **LENGTH**  
(P.P. Indicates Pre-Painted) **10' 6" 12' 6" 14' 6" 16' 6"**



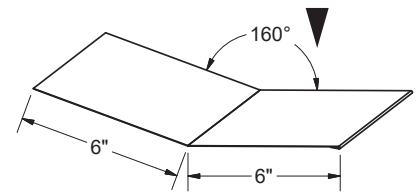
A20	Snow Guard P.P.	•	•	•	•
A20	Snow Guard Galv.	•	•	•	•

• 2-1/2" Tru-Grip fastener is recommended for installation.



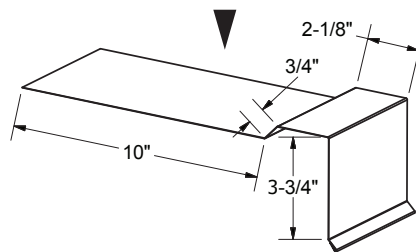
A25	Gambrel Roof Flashing P.P.	•	•	•	•
A25	Gambrel Roof Flashing Galv.	•	•	•	•

• Both roof pitches are required at time of ordering



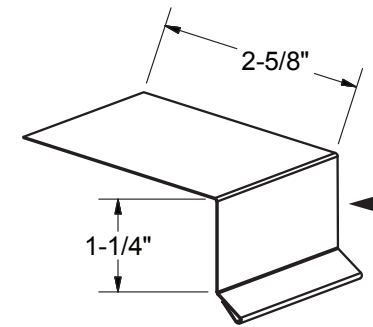
A26	Pitch Break Flashing P.P.	•	•	•	•
A26	Pitch Break Flashing Galv.	•	•	•	•

• Both roof pitches are required at time of ordering



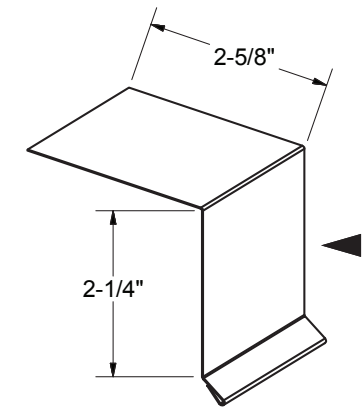
A27	Prow Flashing P.P.	•	•	•	•
A27	Prow Flashing Galv.	•	•	•	•

**28 GA. PRO-RIB / TUFF-RIB / LO-RIB** **LENGTH**  
(P.P. Indicates Pre-Painted) **10' 6" 12' 6" 14' 6" 16' 6"**



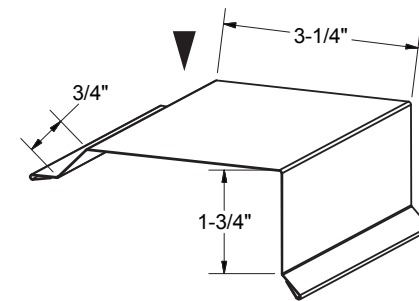
A28	1.25 Rake Flashing P.P.	•	•	•	•
A28	1.25 Rake Flashing Galv.	•	•	•	•

• Use with A-30 1.75 Gable Trim



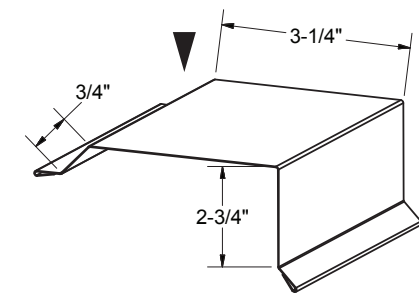
A29	2.25 Rake Flashing P.P.	•	•	•	•
A29	2.25 Rake Flashing Galv.	•	•	•	•

• Use with A-31 2.75 Gable Trim



A30	1.75 Gable Flashing P.P.	•	•	•	•
A30	1.75 Gable Flashing Galv.	•	•	•	•

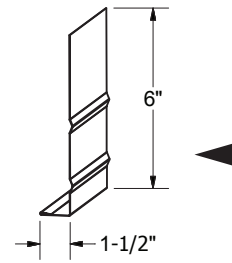
• Use with A-28 1.25 Rake Flashing



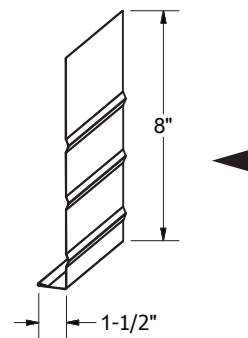
A31	2.75 Gable Flashing P.P.	•	•	•	•
A31	2.75 Gable Flashing Galv.	•	•	•	•

• Use with A-29 2.25 Rake Flashing

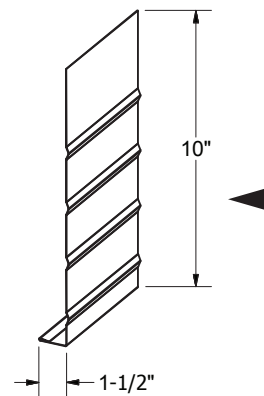
**28 GA. PRO-RIB / TUFF-RIB / LO-RIB** **LENGTH**  
(P.P. Indicates Pre-Painted) **10' 6" 12' 6" 14' 6" 16' 6"**



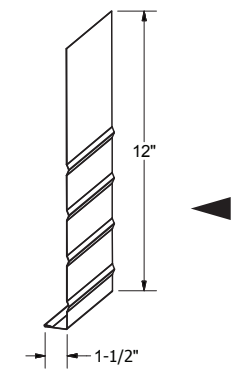
A32B	6" Steel Fascia P.P.	•	•	•	•
A32B	6" Steel Fascia Galv.	•	•	•	•



A33B	8" Steel Fascia P.P.	•	•	•	•
A33B	8" Steel Fascia Galv.	•	•	•	•

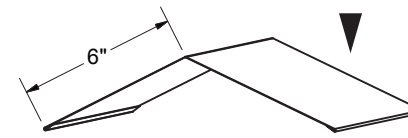


A34B	10" Steel Fascia P.P.	•	•	•	•
A34B	10" Steel Fascia Galv.	•	•	•	•



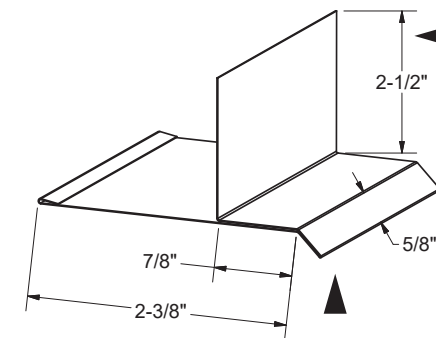
A35B	12" Steel Fascia P.P.	•	•	•	•
A35B	12" Steel Fascia Galv.	•	•	•	•

**28 GA. PRO-RIB / TUFF-RIB / LO-RIB** **LENGTH**  
(P.P. Indicates Pre-Painted) **10' 6" 12' 6" 14' 6" 16' 6"**

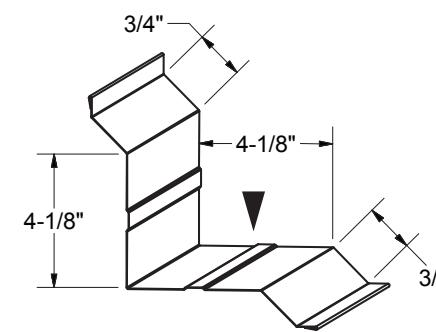


A41	12" LP Ridge Cover P.P.	•	•	•	•
A41	12" LP Ridge Cover Galv.	•	•	•	•

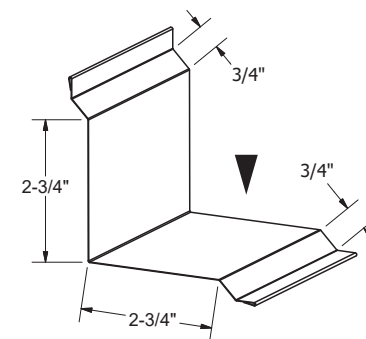
· 2" Tru-Grip fastener is recommended for installation.



A62	Fascia to Soffit P.P.	•	•	•	•
A62	Fascia to Soffit Galv.	•	•	•	•



A70B	Inside Corner P.P.	•	•	•	•
A70B	Inside Corner Galv.	•	•	•	•

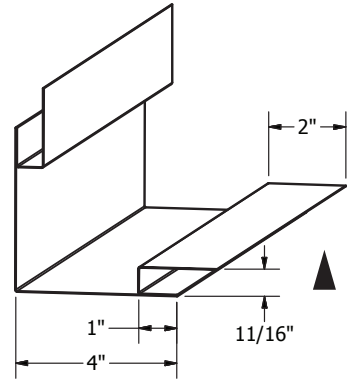


A70LR	Inside Corner P.P.	•	•	•	•
A70LR	Inside Corner Galv.	•	•	•	•

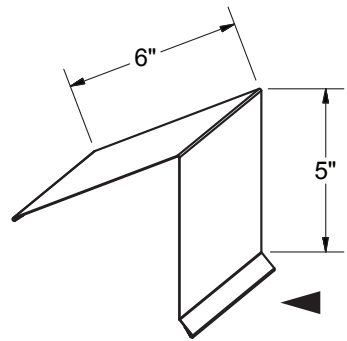
· Use with Lo-Rib panel only.



**28 GA. PRO-RIB / TUFF-RIB / LO-RIB** **LENGTH**  
(P.P. Indicates Pre-Painted) **10' 6" 12' 6" 14' 6" 16' 6"**

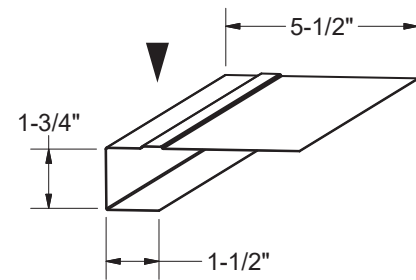


A71	Siding Outside Corner P.P.	•	•	N/A	N/A
A71	Siding Outside Corner Galv.	•	•	N/A	N/A



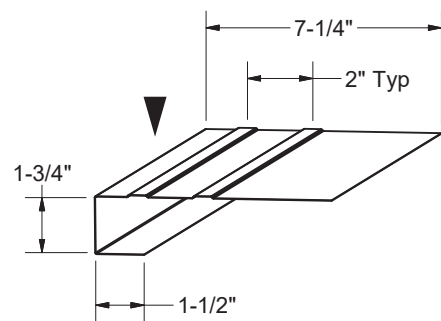
A72	Peak Flashing P.P.	•	•	N/A	N/A
A72	Peak Flashing Galv.	•	•	N/A	N/A

• 2" Tru-Grip fastener is recommended for installation.



A73B	5.50 Door Jamb Flashing P.P.	•	•	•	•
A73B	5.50 Door Jamb Flashing Galv.	•	•	•	•

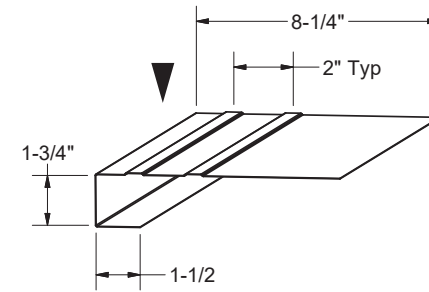
• Available with or without stiffening ribs.



A73B	7.25 Door Jamb Flashing P.P.	•	•	•	•
A73B	7.25 Door Jamb Flashing Galv.	•	•	•	•

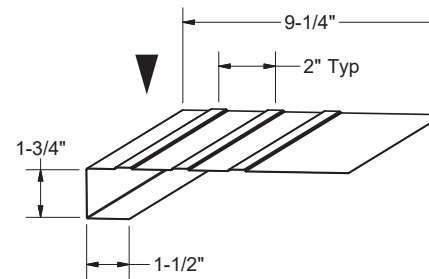
• Available with or without stiffening ribs.

**28 GA. PRO-RIB / TUFF-RIB / LO-RIB** **LENGTH**  
(P.P. Indicates Pre-Painted) **10' 6" 12' 6" 14' 6" 16' 6"**



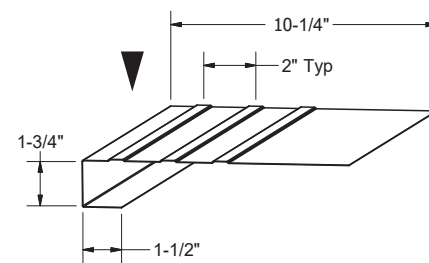
A73B	8.25 Door Jamb Flashing P.P.	•	•	•	•
A73B	8.25 Door Jamb Flashing Galv.	•	•	•	•

• Available with or without stiffening ribs.



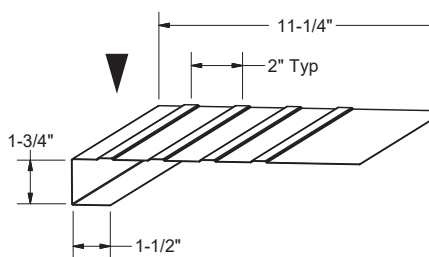
A73B	9.25 Door Jamb Flashing P.P.	•	•	•	•
A73B	9.25 Door Jamb Flashing Galv.	•	•	•	•

• Available with or without stiffening ribs.



A73B	10.25 Door Jamb Flashing P.P.	•	•	•	•
A73B	10.25 Door Jamb Flashing Galv.	•	•	•	•

• Available with or without stiffening ribs.



A73B	11.25 Door Jamb Flashing P.P.	•	•	•	•
A73B	11.25 Door Jamb Flashing Galv.	•	•	•	•

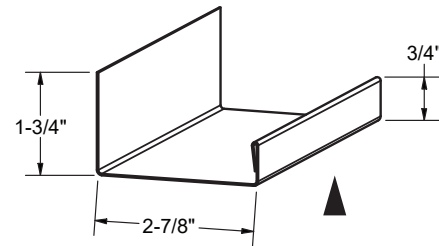
• Available with or without stiffening ribs.

**28 GA. BI-FOLD DOOR TRIMS**

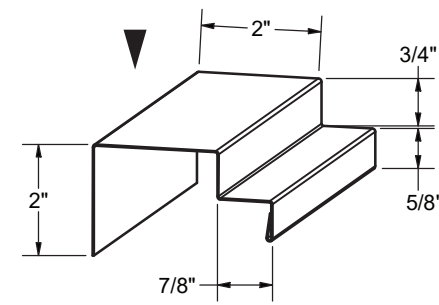
(P.P. Indicates Pre-Painted)

**LENGTH**

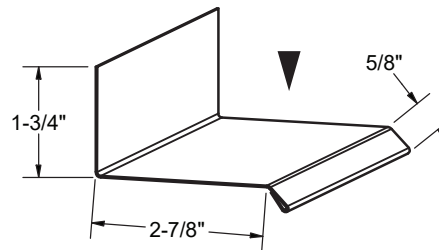
**10' 6" 12' 6" 14' 6" 16' 6"**



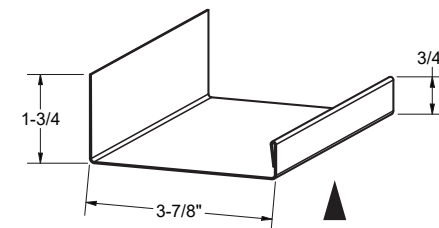
DDIN-01	J-Trim P.P.	•	•	•	•
DDIN-01	J-Trim Galv.	•	•	•	•



DDIN-02	Center Trim P.P.	•	•	•	•
DDIN-02	Center Trim Galv.	•	•	•	•



DDIN-03	Drip Flashing P.P.	•	•	•	•
DDIN-03	Drip Flashing Galv.	•	•	•	•



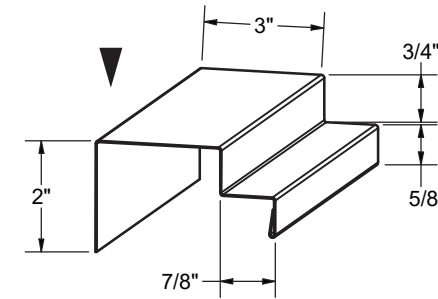
DDINI-01	J-Trim P.P.	•	•	•	•
DDINI-01	J-Trim Galv.	•	•	•	•

**28 GA. BI-FOLD DOOR TRIMS**

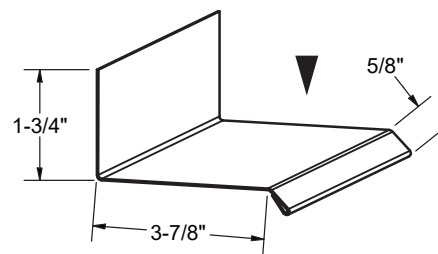
(P.P. Indicates Pre-Painted)

**LENGTH**

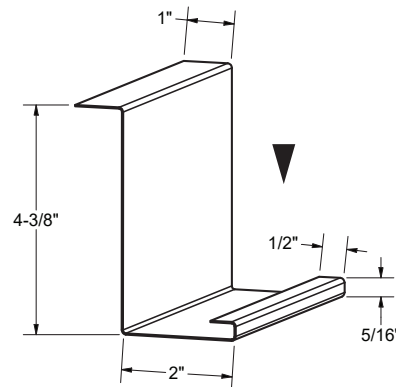
**10' 6" 12' 6" 14' 6" 16' 6"**



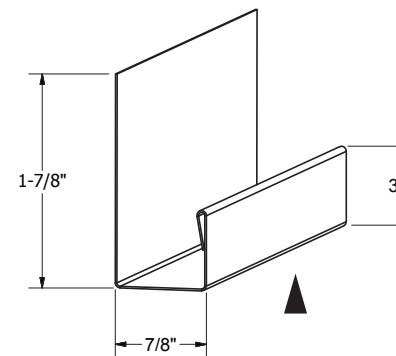
DDINI-02	Center Trim P.P.	•	•	•	•
DDINI-02	Center Trim Galv.	•	•	•	•



DDINI-03	Drip Flashing P.P.	•	•	•	•
DDINI-03	Drip Flashing Galv.	•	•	•	•



DDINI-04	Track Cap P.P.	•	•	•	•
DDINI-04	Track Cap Galv.	•	•	•	•



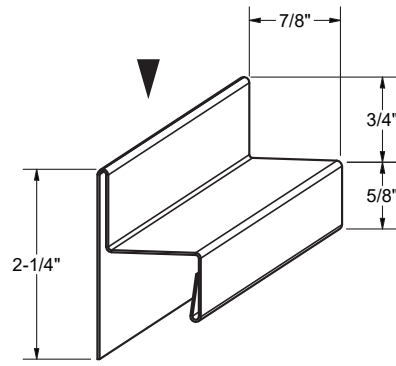
DDST-01	J-Trim P.P.	•	•	•	•
DDST-01	J-Trim Galv.	•	•	•	•

**28 GA. BI-FOLD DOOR TRIMS**

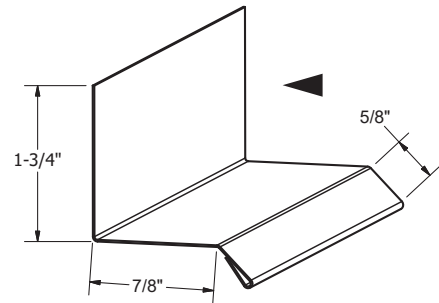
(P.P. Indicates Pre-Painted)

**LENGTH**

**10' 6" 12' 6" 14' 6" 16' 6"**



DDST-02	Centre Trim P.P.	•	•	•	•
DDST-02	Centre Trim Galv.	•	•	•	•



DDST-03	Drip Flashing P.P.	•	•	N/A	N/A
DDST-03	Drip Flashing Galv.	•	•	N/A	N/A